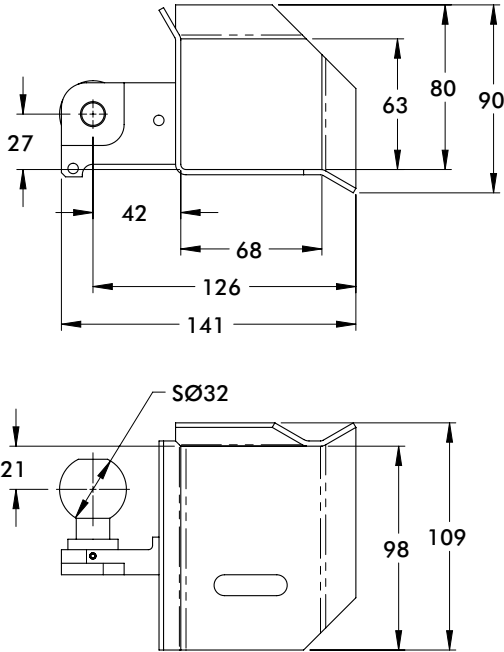


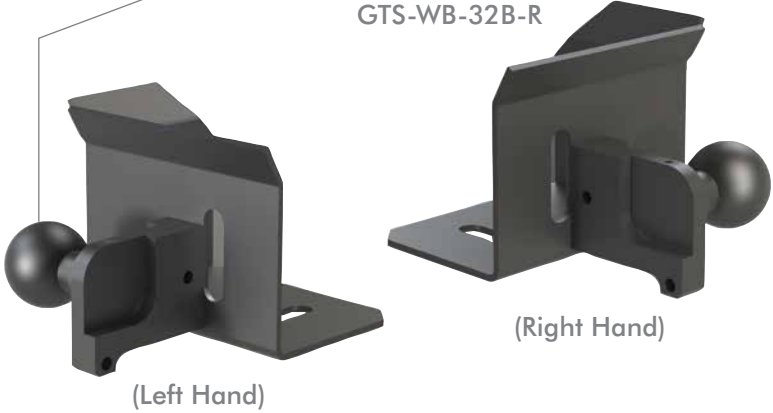
# GTS SERIES

Accelerate® Tooling Collection | Dimensions

## GTS-100 32mm Ball 80mm Shovel



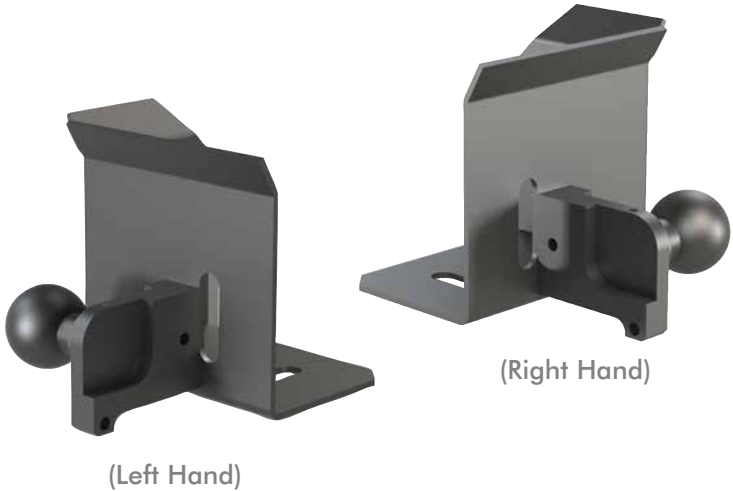
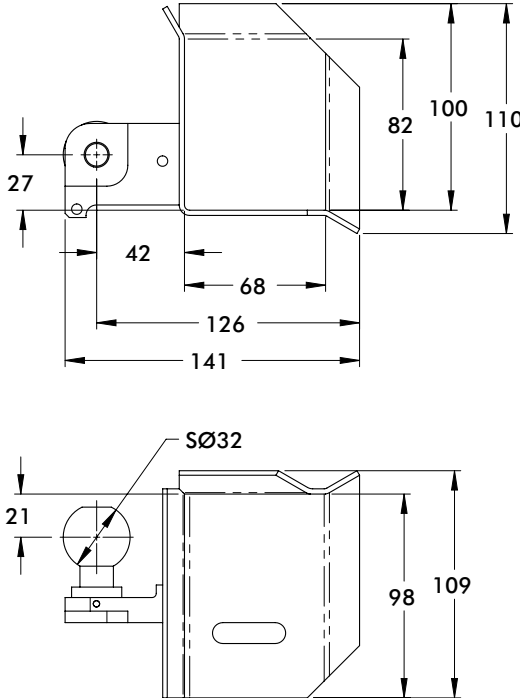
**Optional spare parts**  
 28.58mm Ball  
 GTS-WB-B112-L  
 GTS-WB-B112-R  
 32mm Ball  
 GTS-WB-32B-L  
 GTS-WB-32B-R



Material: Steel

Model Number	Weight
GTS-100-85-80LH-A	656g [1.45 lb]
GTS-100-85-80RH-A	

## GTS-100 32mm Ball 100mm Shovel



Material: Steel

Model Number	Weight
GTS-100-85-100LH-A	730g [1.61 lb]
GTS-100-85-100RH-A	