

84N1 SERIES

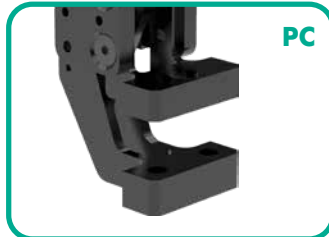
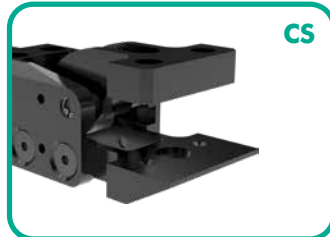
Accelerate® Press Room Sheet Metal Grippers | Ordering Information



Ports	Description
N	1/8 NPT
G	1/8 BSPP

Opening Angle	Description
030	30° Opening Angle
045	45° Opening Angle
060	60° Opening Angle
075	75° Opening Angle

Jaw Style/ Tip Mount	Description
FA	Fixed Lower 0° Jaw, Single Tip Mount
FC	Fixed Lower 0° Jaw, Double Tip Mount
CA	Fixed Lower Chisel Jaw, Single Tip Mount
CC	Fixed Lower Chisel Jaw, Double Tip Mount
CS	Fixed Lower Chisel Jaw, Double Tip w/Sensor Mount
PC	Fixed Lower 90° Jaw, Double Tip Mount



Mounting options are ordered separately:

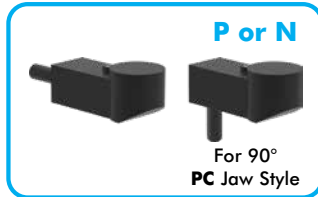
Please refer to mounting options on pages SG-PRG-11 to 12 for mounting style and part number.

Part Presence Detection

0
P
N

Description

None
PNP
NPN



4mm Sensing Range

Sheet Stops

0
1

Description

None
Included



Left Sensor Side Mount

0
1
2
3

Description

None
Double Blank PNP Sensing
Double Blank NPN Sensing
Infrared PNP Sensing (not available for PC jaw style)

Right Sensor Side Mount

0
1
2
3

Description

None
Double Blank PNP Sensing
Double Blank NPN Sensing
Infrared PNP Sensing (not available for PC jaw style)

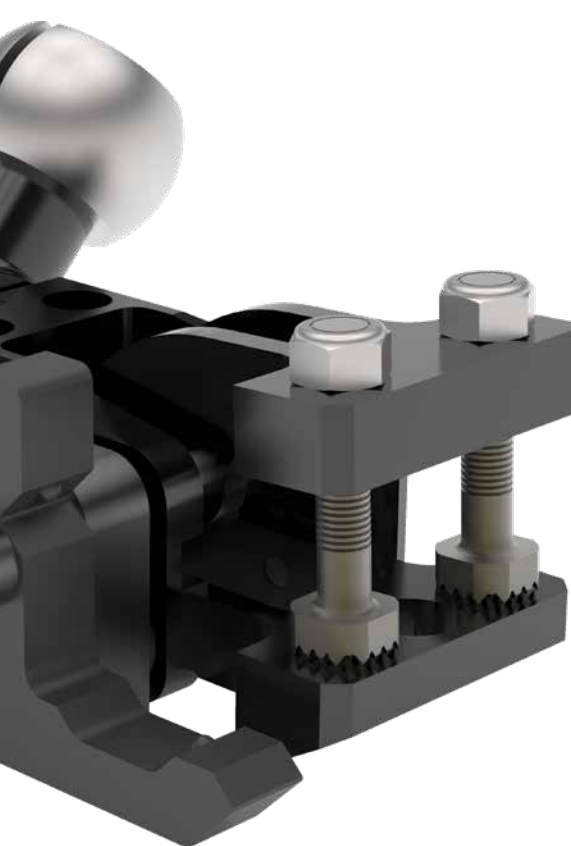
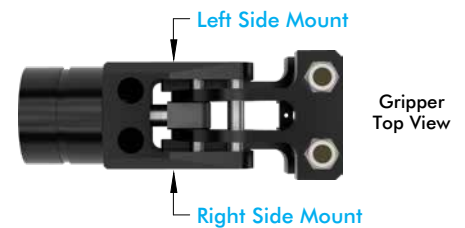


0.4 mm Double blank minimum per sheet thickness

Tips

Description

- 00 None
- 01 Serrated Tip (for all Jaw Styles except FA)
- 02 Serrated Tip (for FA Jaw Style only)
- 03 Point Tip
- 04 Peen Tip
- 05 Polyurethane Tip (Durometer 70A)



Description	Part Number	Single Tip Jaw	Double Tip Jaw
Polyurethane Tip	8JD-1005-1	Yes	Yes
Point Tip	8JD-1001-1	Yes*	Yes
Serrated Tip	8JD-1002-1	Yes*	Yes
Peen Tip	8JD-1003-1	Yes*	Yes
Serrated Notched Top (for Jaw Style FA only)	8JD-1004-1	Yes	No

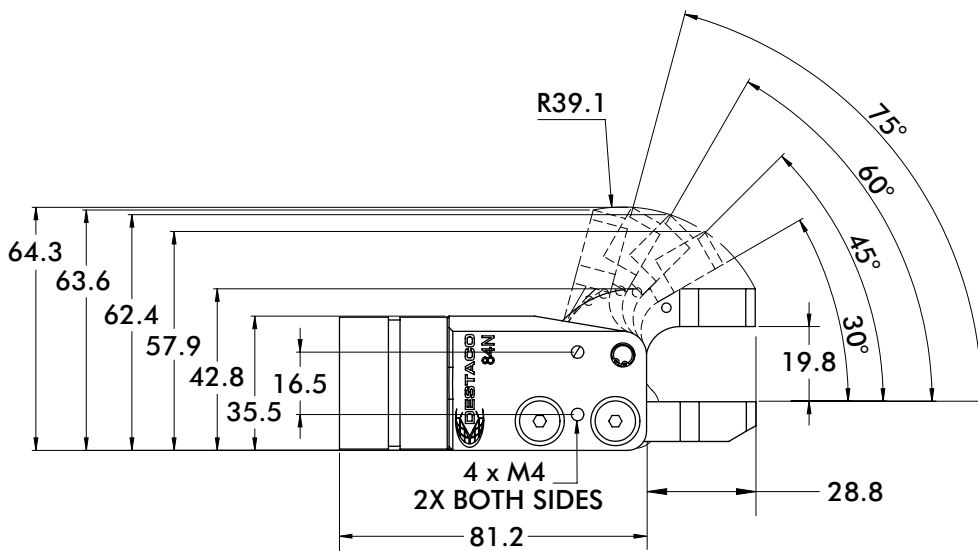
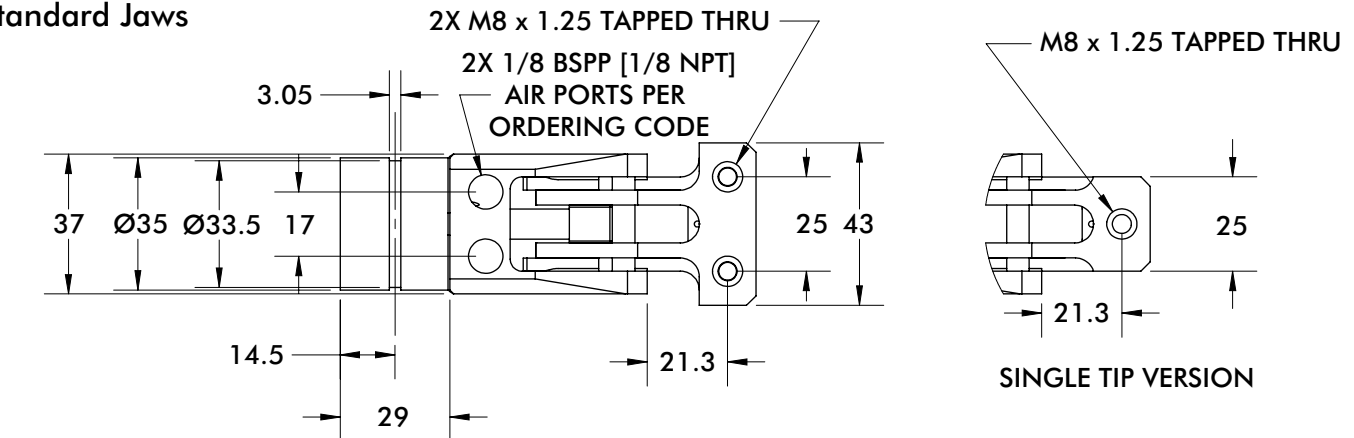
*These options will work on single tip jaws but WILL activate the part present sensor which will result in a false positive if that option is used.

Customer is responsible for final adjustments and tightening of all accessory mounting screws.

84N1 SERIES

Accelerate® Press Room Sheet Metal Grippers | Dimensions and Technical Specifications

Standard Jaws

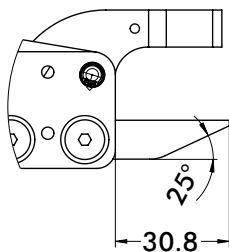


Single Tip

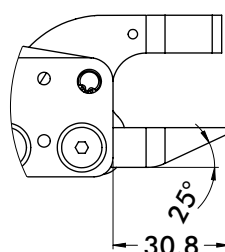


Double Tip

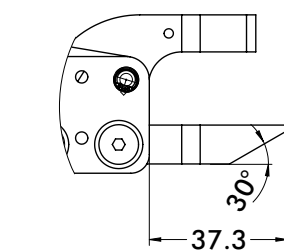
Chisel Jaws



SINGLE TIP VERSION



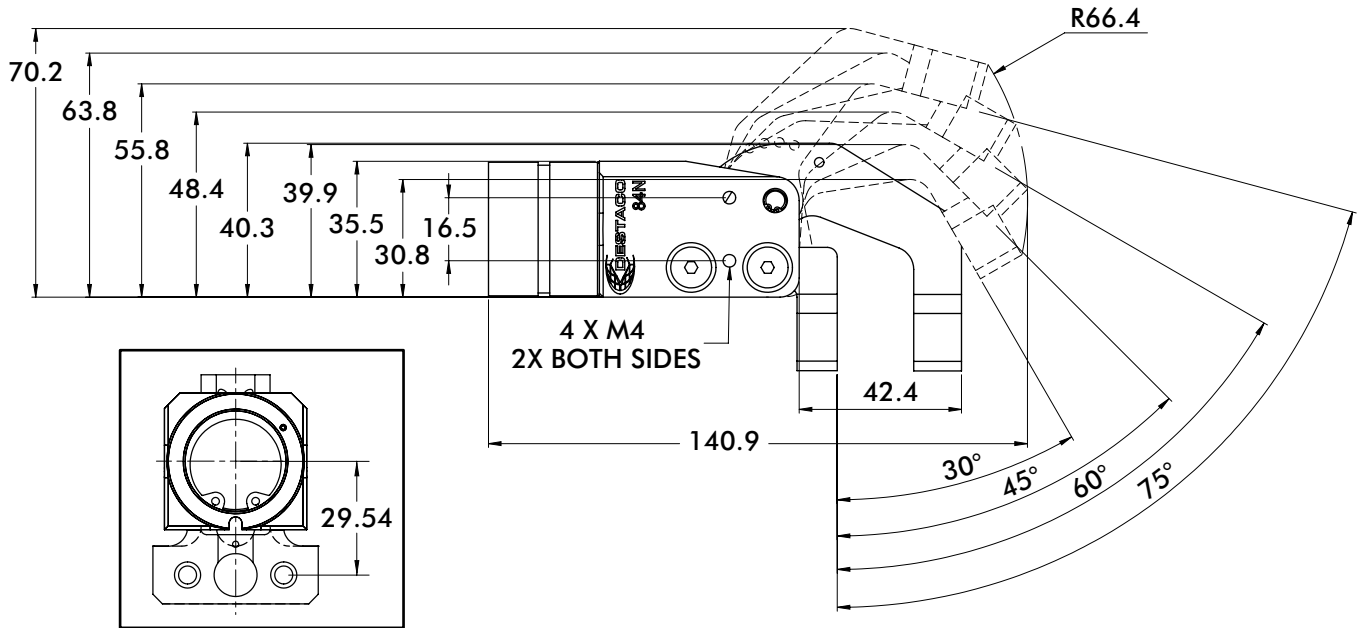
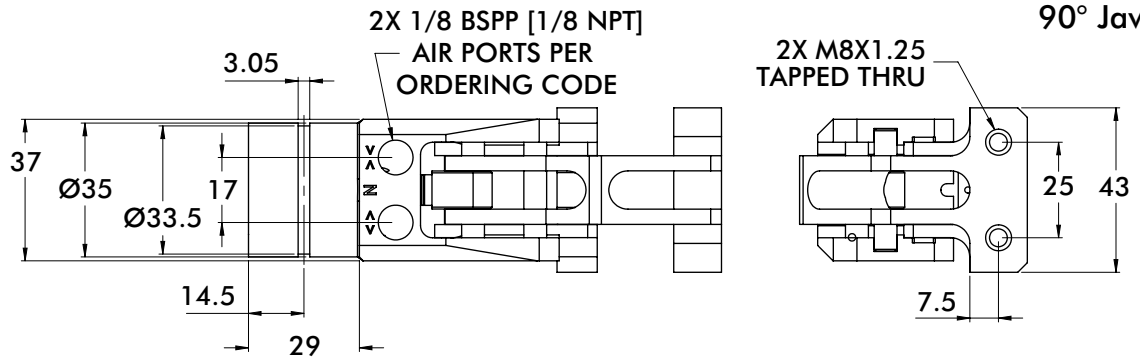
DOUBLE TIP VERSION



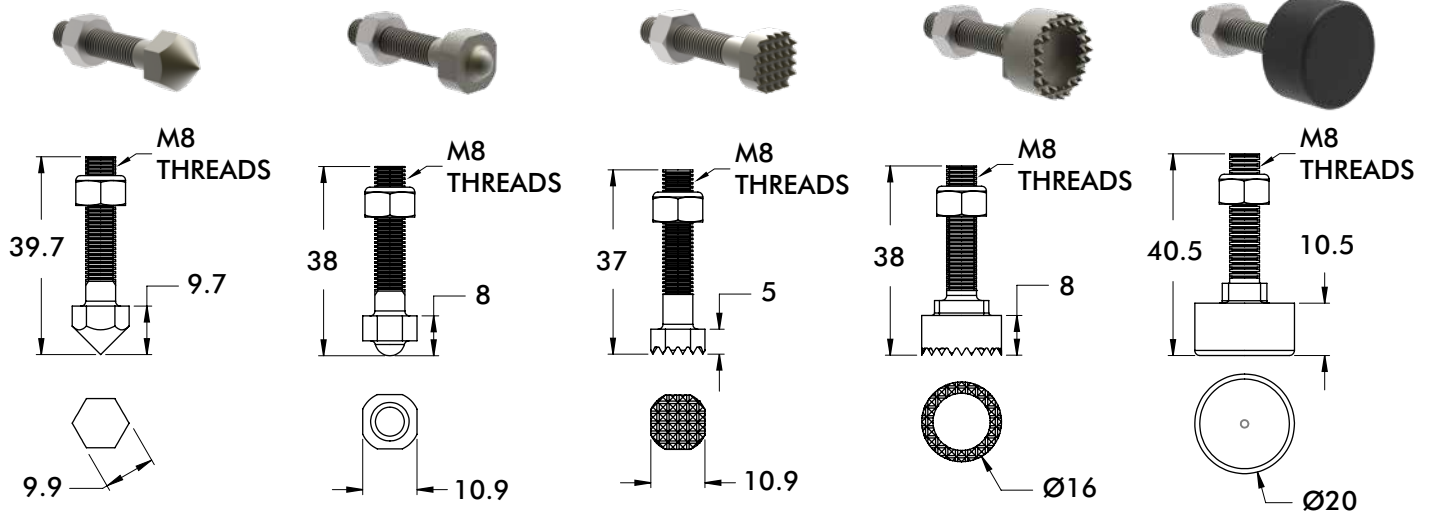
DOUBLE TIP VERSION
PART PRESENCE SENSOR READY

84N1 SERIES

Accelerate® Press Room Sheet Metal Grippers | Dimensions and Ordering Information



Jaw Tip Options



Point Tip

Part Number
8JD-1001-1

Peen Tip

Part Number
8JD-1003-1

Serrated Tip
(for all Jaw Styles except FA)

Part Number
8JD-1002-1

Serrated Tip
(for FA Jaw Style only)

Part Number
8JD-1004-1

Polyurethane Tip

Part Number
8JD-1005-1

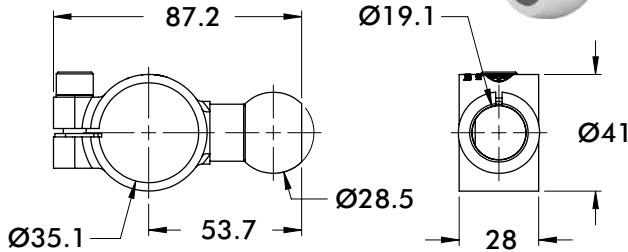
84N SERIES MOUNTS

Accelerate® Press Room Sheet Metal Grippers | Dimensions and Ordering Information

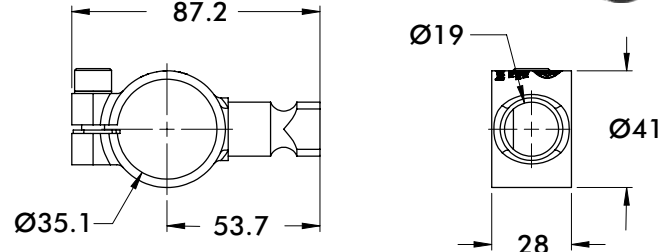
Side Ball and Apple Core Gripper Mounts

Side Ball

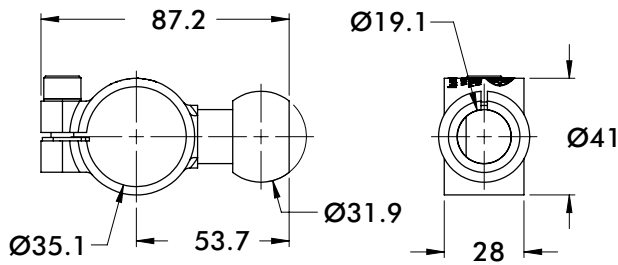
Apple Core



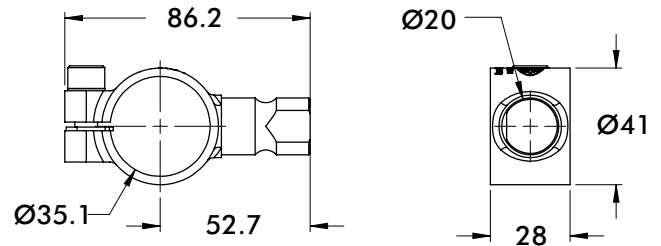
GT-84N1-B112-A



GT-84N1-19M-A



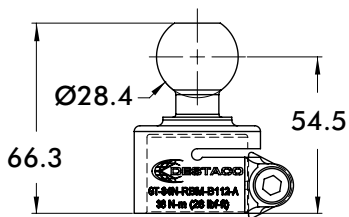
GT-84N1-32B-A



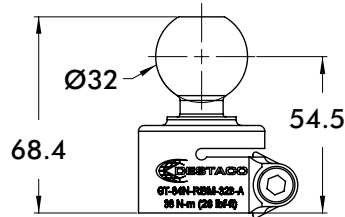
GT-84N1-20M-A

Rear Ball and Flange Gripper Mounts

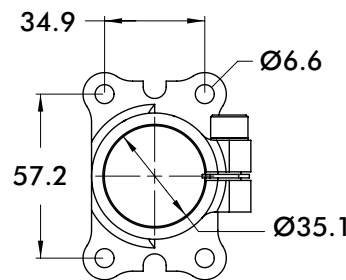
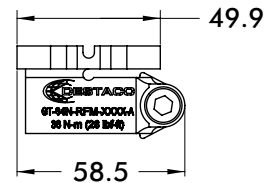
Rear Flange



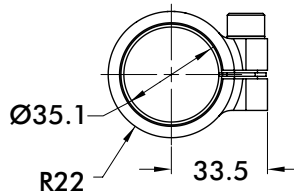
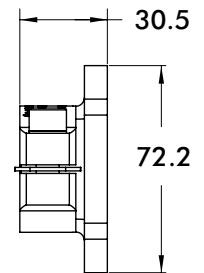
GT-84N-RBM-B112-A



GT-84N-RBM-32B-A



GT-84N-RFM-2213-A



Rear Ball



Side Ball and Apple Core

- 1.125 in. (28.5mm) Side Ball
- 32mm Side Ball
- 19mm Applecore
- 20mm Applecore

Part Number

- GT-84N1-B112-A**
- GT-84N1-32B-A**
- GT-84N1-19M-A**
- GT-84N1-20M-A**

Rear Ball and Flange

- 1.125 in. (28.5mm) Rear Ball
- 32mm Rear Ball
- Rear Flange

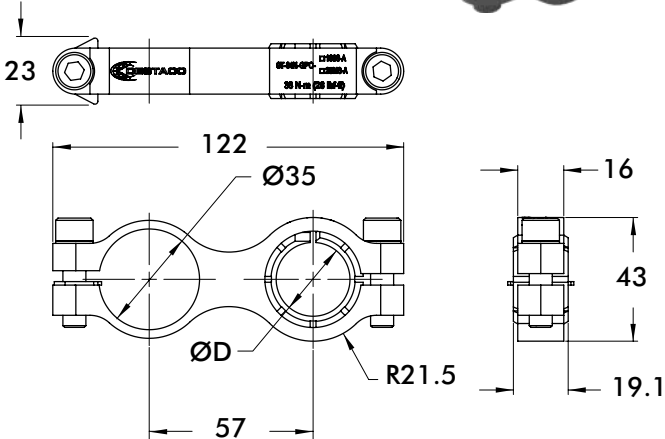
Part Number

- GT-84N-RBM-B112-A**
- GT-84N-RBM-32B-A**
- GT-84N-RFM-2213-A**

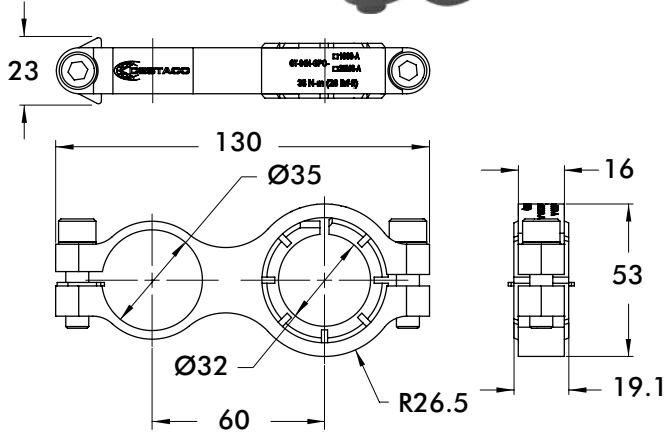
84N SERIES MOUNTS

Accelerate® Press Room Sheet Metal Grippers | Dimensions and Ordering Information

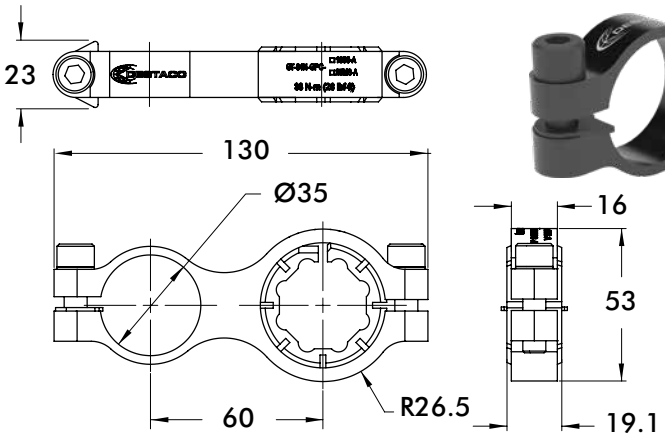
Parallel Swivel Gripper Mount



ØD=1.00 in. **GT-84N-GPC-100S-A**
 ØD=25mm **GT-84N-GPC-25MS-A**



GT-84N-GPC-125S-A

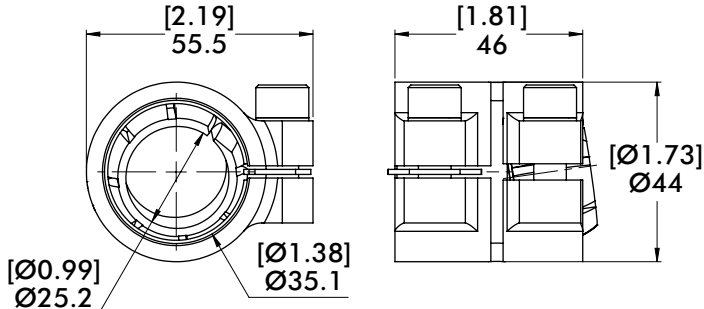


GT-84N-GPC-30BBS-A



Parallel Clamp Swivel Mount	Part Number
1" Swivel Mount	GT-84N-GPC-100S-A
1-1/4" Swivel Mount	GT-84N-GPC-125S-A
25mm Swivel Mount	GT-84N-GPC-25MS-A
30mm Body Builder Swivel Mount	GT-84N-GPC-30BBS-A

Rear Clamp Swivel Mount



GT-84N-RSM-100S-A



Rear Clamp Swivel Mount	Part Number
25mm Swivel Mount	GT-84N-RSM-25MS-A

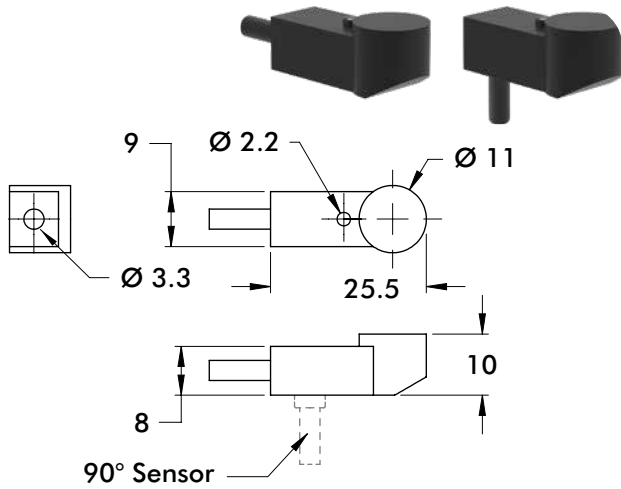
Dimensions and technical information are subject to change without notice



84N SENSING OPTIONS

Accelerate® Press Room Sheet Metal Grippers | Dimensions and Ordering Information

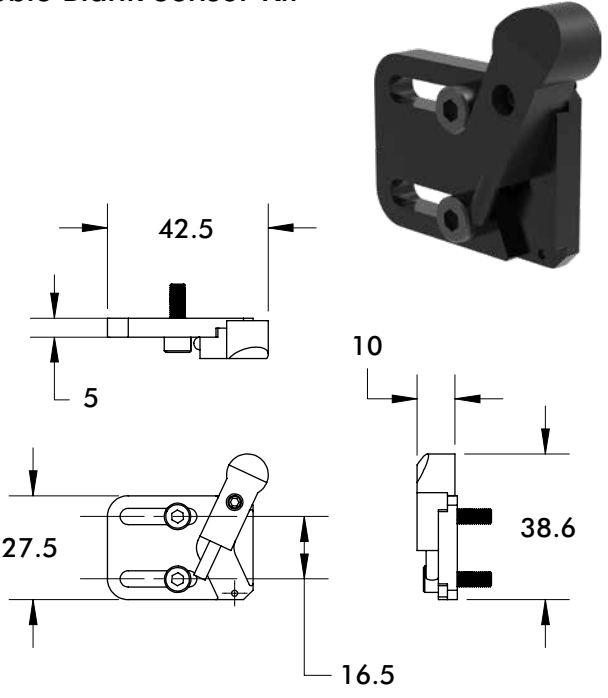
Jaw Part Present Sensor (84N1 only) or
Double Blank Sensor (see kit below)



Description	Part Number
PNP Inductive Part Present Sensor	8EA-1024-1
NPN Inductive Part Present Sensor	8EA-1025-1
90° PNP Inductive Part Present Sensor*	8EA-1027-1
90° NPN Inductive Part Present Sensor*	8EA-1028-1

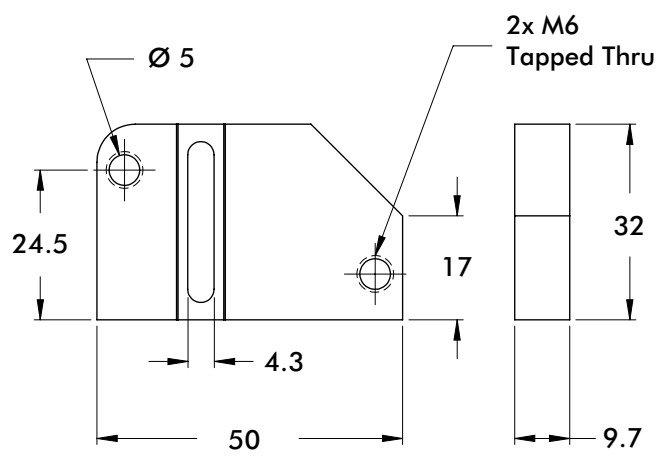
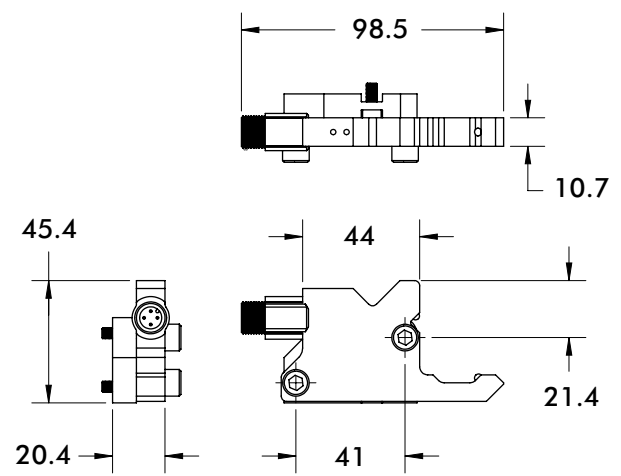
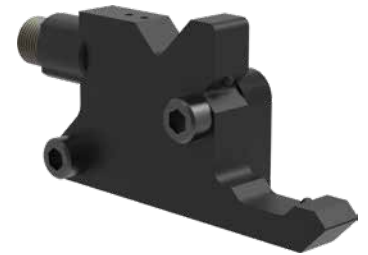
*for 84N1 PC Jaw Style only.

Double Blank Sensor Kit



Description	Part Number
PNP Inductive Double Blank Sensor Kit	8EA-1026-1
NPN Inductive Double Blank Sensor Kit	8EA-1029-1

Infrared Part Present Sensor
and Mounting Adapter

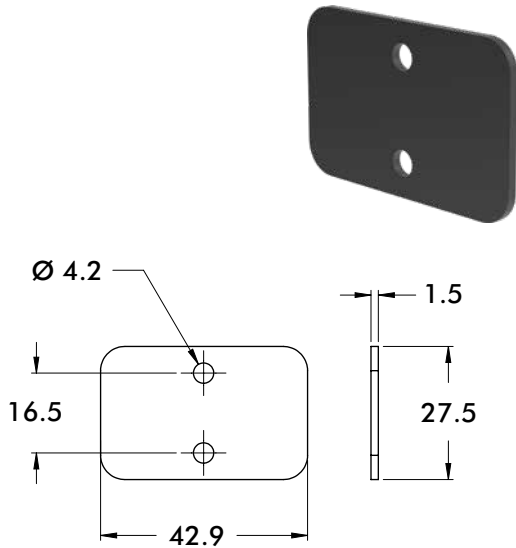


Description	Part Number
Infrared Part Present Sensor Kit	8EA-1023-1

84N ACCESSORIES

Accelerate® Press Room Sheet Metal Grippers | Dimensions and Ordering Information

Sheet Stop Option



Description

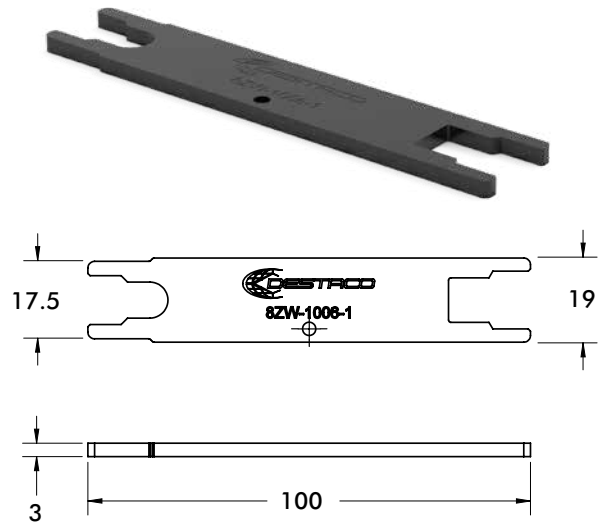
Sheet Stop Kit

Part Number

8MH-1003-1

Includes socket head cap mounting screws

One-Step Easy Tip Adjustment Tool (84N1 only)



Description

One-Step Quick Tip Adjustment Tool

Part Number

8ZW-1006-1